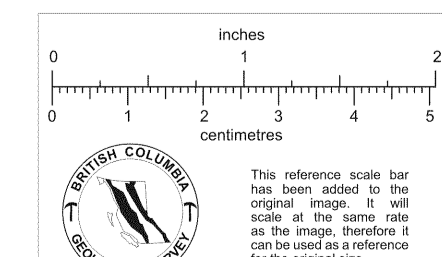
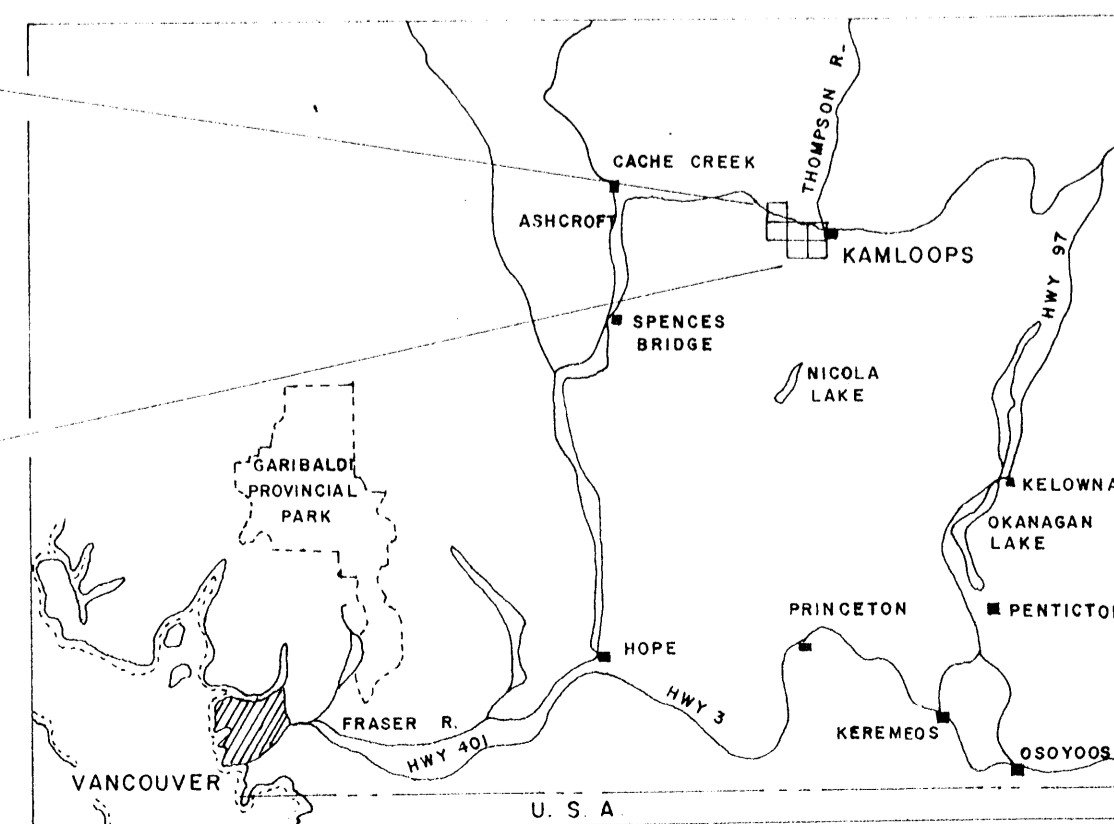
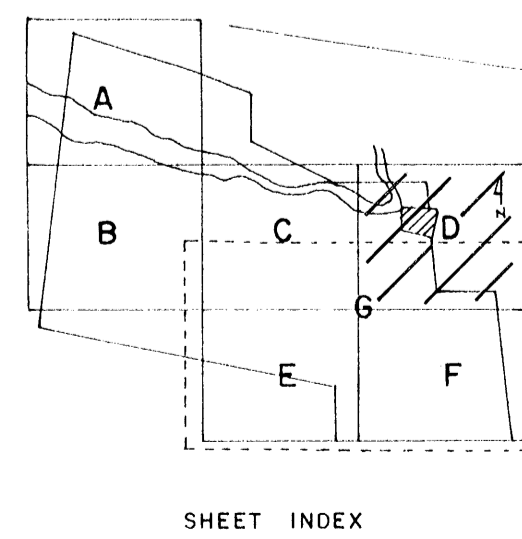




**LEGEND**

- CENOZOIC**  
**MIOCENE OR EARLIER - KAMLOOPS GROUP**  
 5. RHYOLITE, ANDESITE AND BASALT; ASSOCIATED TUFFS, BRECCIAS AND AGGLOMERATES, MAY INCLUDE SOME YOUNGER BASALTS  
 6. TRANQUILLE BEDS: CONGLOMERATE, SANDSTONE, SHALE TUFF; THIN COAL SEAMS.
- MESOZOIC**  
**LOWER CRETACEOUS - KINGSVALE GROUP**  
 4. RHYOLITE, ANDESITE AND BASALT; ASSOCIATED TUFFS, BRECCIAS AND AGGLOMERATES, ARKOSE, CONGLOMERATE
- JURASSIC AND (?) LATER**  
 3. IRON MASK BATHOLITH; SYENITE, MONZONITE DIORITE, GABBRO
- UPPER TRIASSIC - NICOLA GROUP**  
 2. GREENSTONE, ANDESITE, BASALT, AGGLOMERATE, BRECCIA, TUFF; MINOR ARGILLITE, LIMESTONE, AND CONGLOMERATE.
- PALÆOZOIC**  
**CARBONIFEROUS AND PERMIAN - CACHE CREEK GROUP(?)**  
 1. ARGILLITE, QUARTZITE, HORNSTONE, LIMESTONE, SHEARED CONGLOMERATE, BRECCIA, GREENSTONE, AND SERPENTINE.

- ROAD  
 CONTACT  
 SAND



<b>SANDNER ASSOCIATES</b>			
<b>KAMLOOPS - AFTON AREA</b>			
<b>GENERAL GEOLOGY</b>			
Scale 1 in = 1/4 mi			
DRAWN	AR	JOB NO.	FIG NO.
DATED	June 15-72	1204	D
CHECKED	<i>[Signature]</i>		