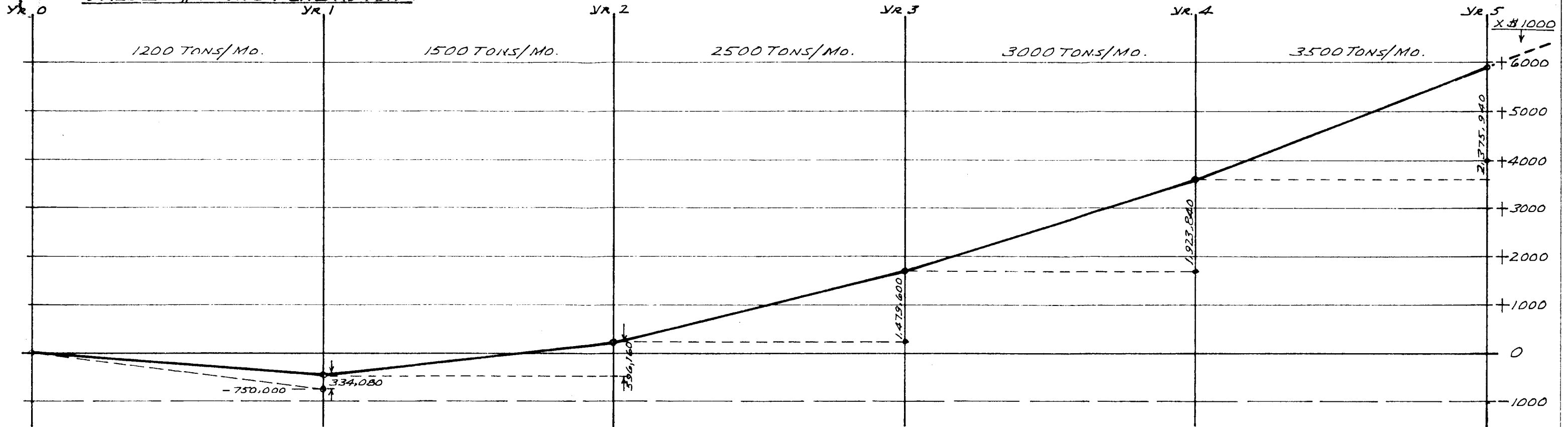
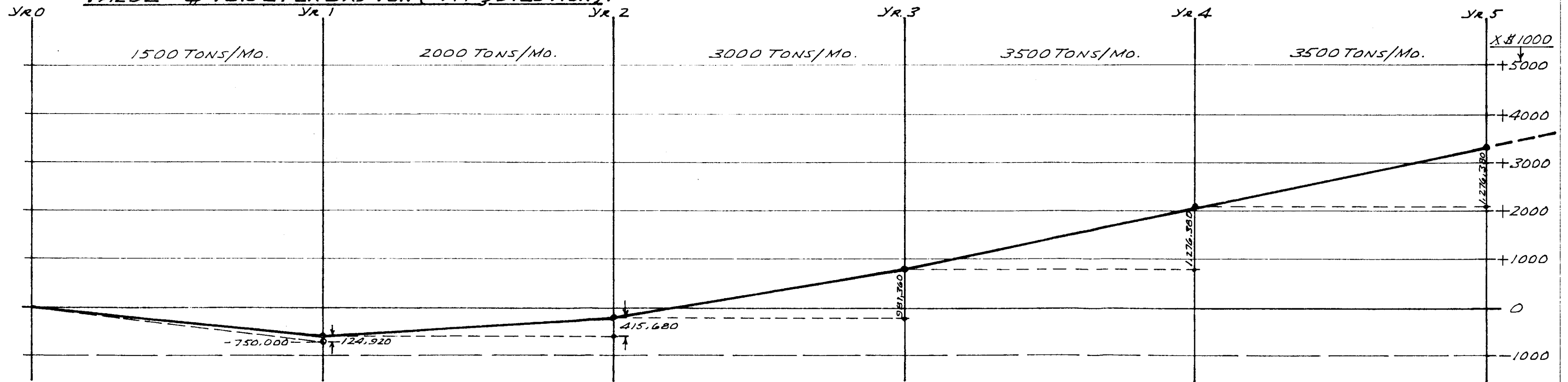


**PROJECTIONS: NET CASH FLOWS.**  
 BASED ON 4000 LEVEL OPERATING BASE & LHD/LATERAL MINING SYSTEM.

A - FOR MILLHEADS @ NET RECOVERABLE  
 VALUE = \$104.70 PER DRY TON:



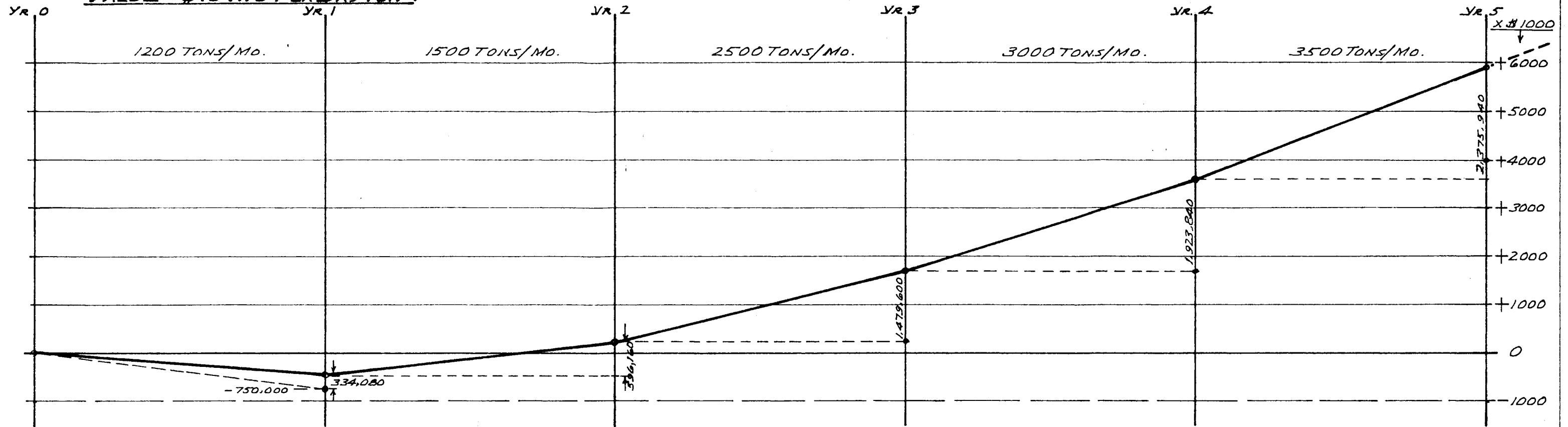
B - FOR MILLHEADS @ NET RECOVERABLE  
 VALUE = \$78.52 PER DRY TON (= A + 1/3 DILUTION):



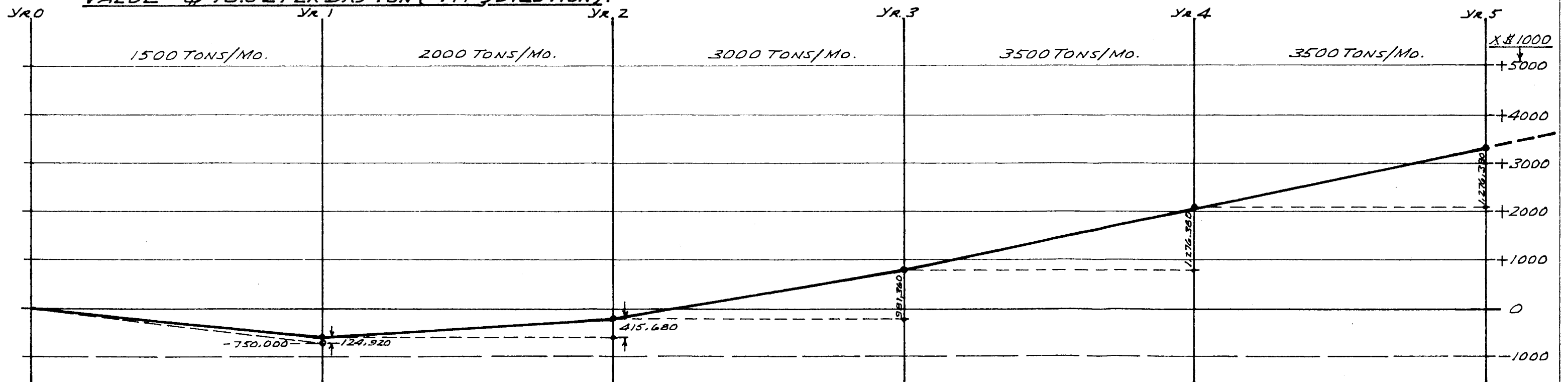
**FIG. 5** 801197  
**SILMONAC MINE**  
 NEW DENVER, B.C. SLOCAN MIN. DIV.  
 MAY, 1977 W.M. SHARP, P. ENG.

**PROJECTIONS: NET CASH FLOWS.**  
 BASED ON 4000 LEVEL OPERATING BASE & LHD/LATERAL MINING SYSTEM.

A - FOR MILLHEADS @ NET RECOVERABLE  
 VALUE = \$104.70 PER DRY TON:



B - FOR MILLHEADS @ NET RECOVERABLE  
 VALUE = \$78.52 PER DRY TON (= A + 1/3 DILUTION):



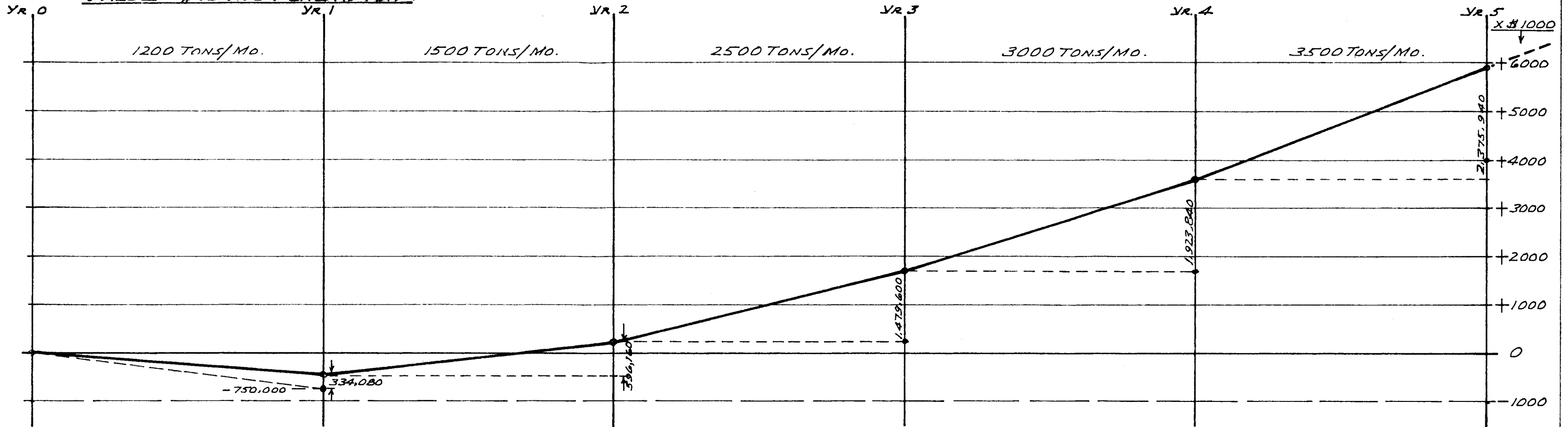
**FIG. 5**

**SILMONAC MINE**

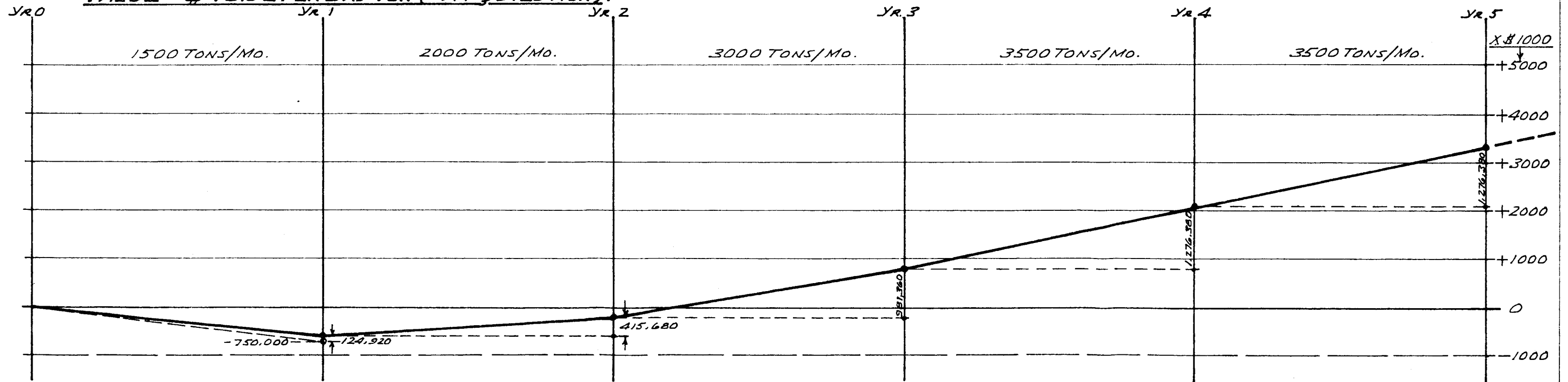
NEW DENVER, B.C. SLOCAN MIN. DIV.  
 MAY, 1977 W.M. SHARP, P. ENG.

**PROJECTIONS: NET CASH FLOWS.**  
 BASED ON 4000 LEVEL OPERATING BASE & LHD/LATERAL MINING SYSTEM.

A - FOR MILLHEADS @ NET RECOVERABLE  
 VALUE = \$104.70 PER DRY TON:



B - FOR MILLHEADS @ NET-RECOVERABLE  
 VALUE = \$78.52 PER DRY TON (= A + 1/2 DILUTION):



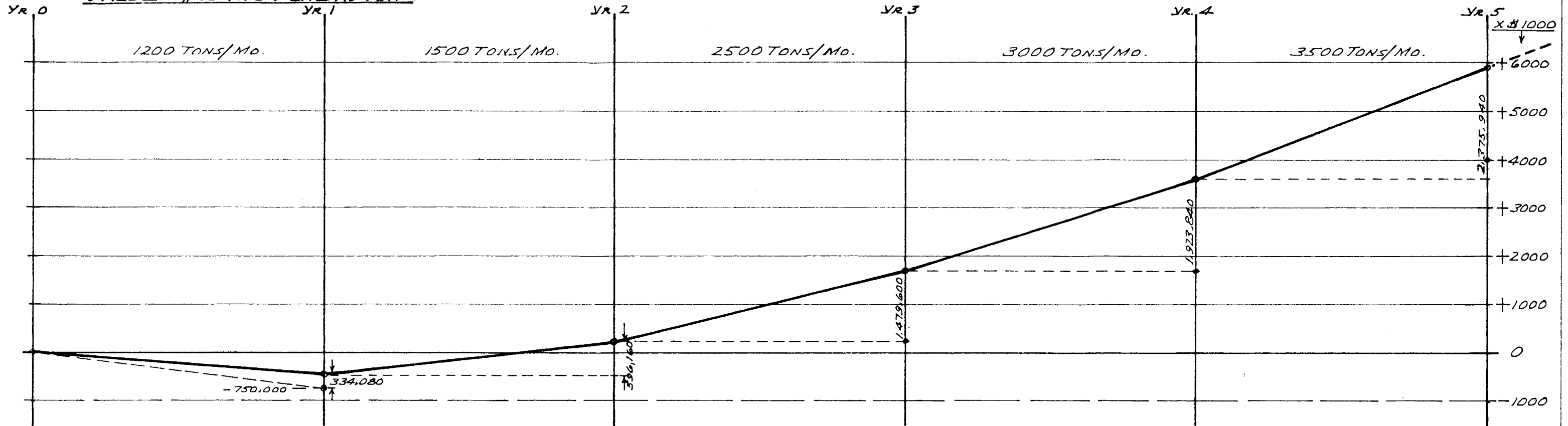
**FIG. 5**

**SILMONAC MINE**

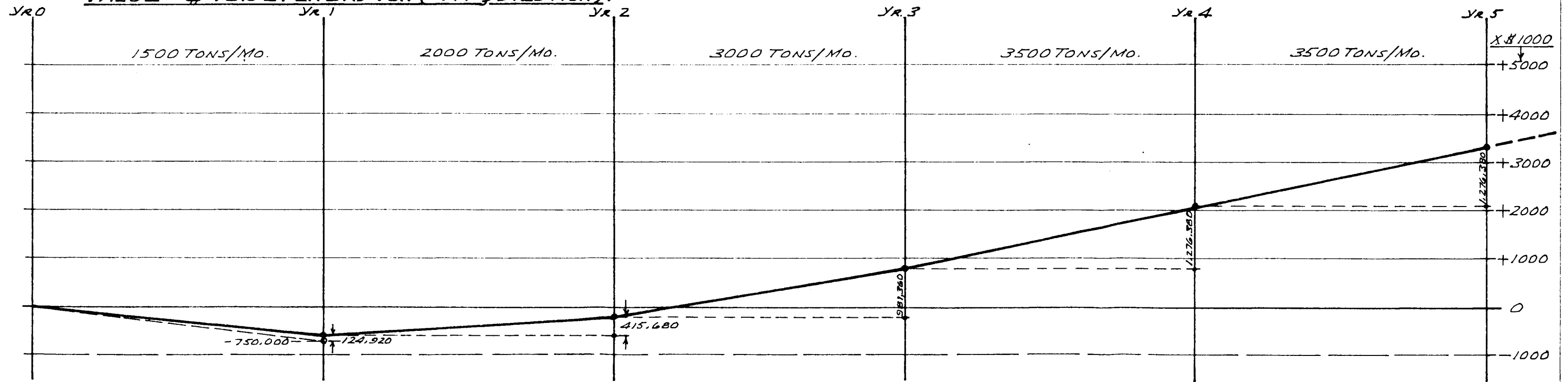
NEW DENVER, B.C. SLOCAN MIN. DIV.  
 MAY, 1977  
 W.M. SHARP, P. ENG.

**PROJECTIONS: NET CASH FLOWS.**  
 BASED ON 4000 LEVEL OPERATING BASE & LHD/LATERAL MINING SYSTEM.

A - FOR MILLHEADS @ NET RECOVERABLE  
 VALUE = \$104.70 PER DRY TON:



B - FOR MILLHEADS @ NET-RECOVERABLE  
 VALUE = \$78.52 PER DRY TON (= A + 1/2 DILUTION):



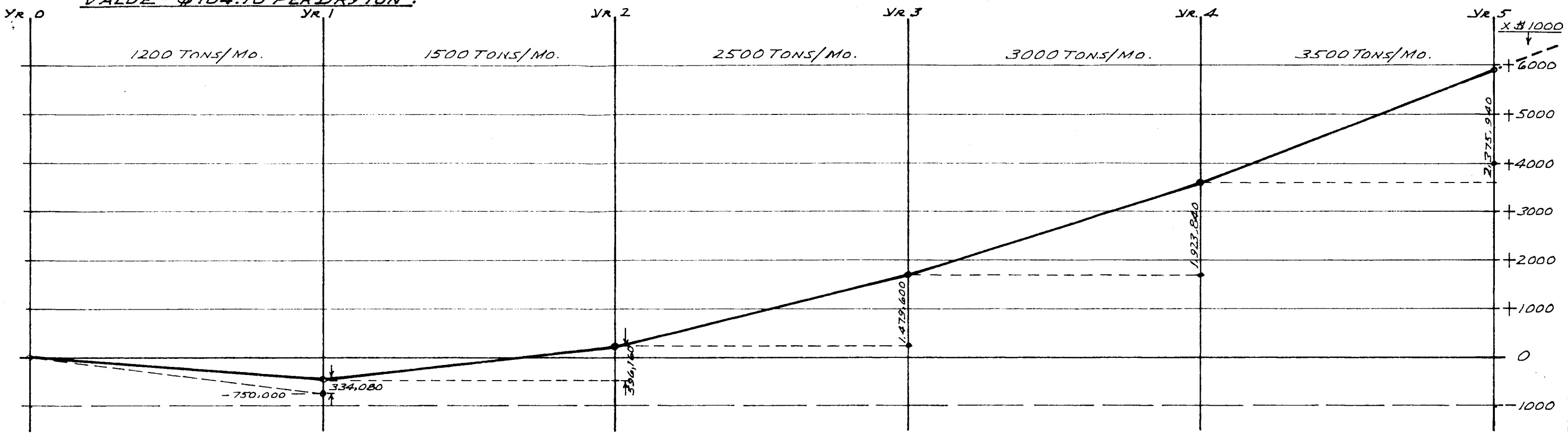
**FIG. 5**

**SILMONAC MINE**

NEW DENVER, B.C. SLOCAN MIN. DIV.  
 MAY, 1977 W.M. SHARP, P. ENG.

PROJECTIONS: NET CASH FLOWS.  
 BASED ON 4000 LEVEL OPERATING BASE & LHD/LATERAL MINING SYSTEM.

A - FOR MILLHEADS @ NET RECOVERABLE  
 VALUE = \$104.70 PER DRY TON:



B - FOR MILLHEADS @ NET-RECOVERABLE  
 VALUE = \$78.52 PER DRY TON (= A + 1/3 DILUTION):

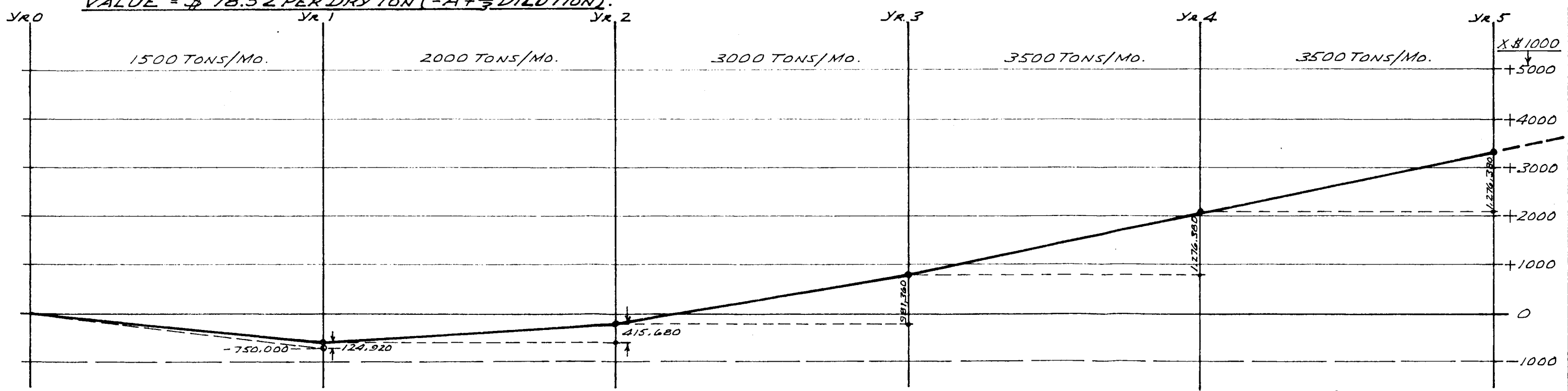


FIG. 5  
 SILMONAC MINE  
 NEW DENVER, B.C. SLOCAN MIN. DIV.  
 MAY, 1977 W.M. SHARP, P. ENG.