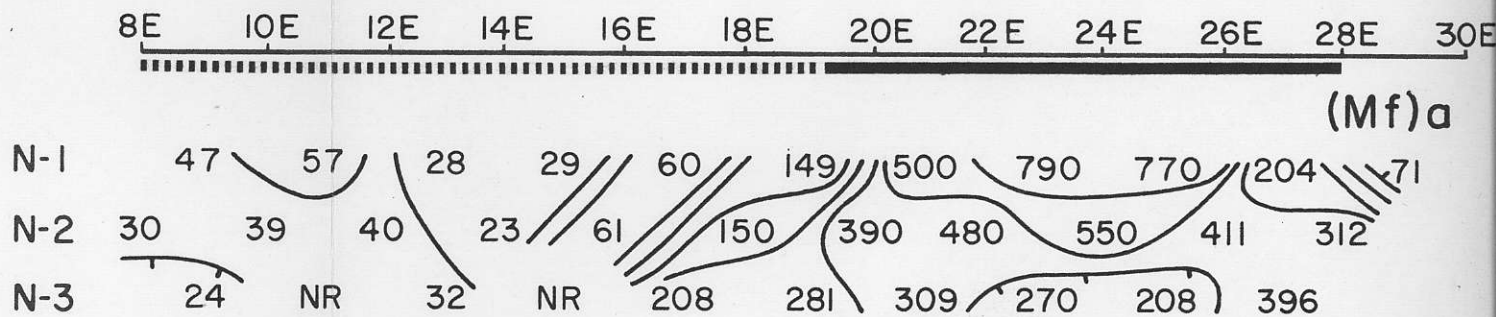
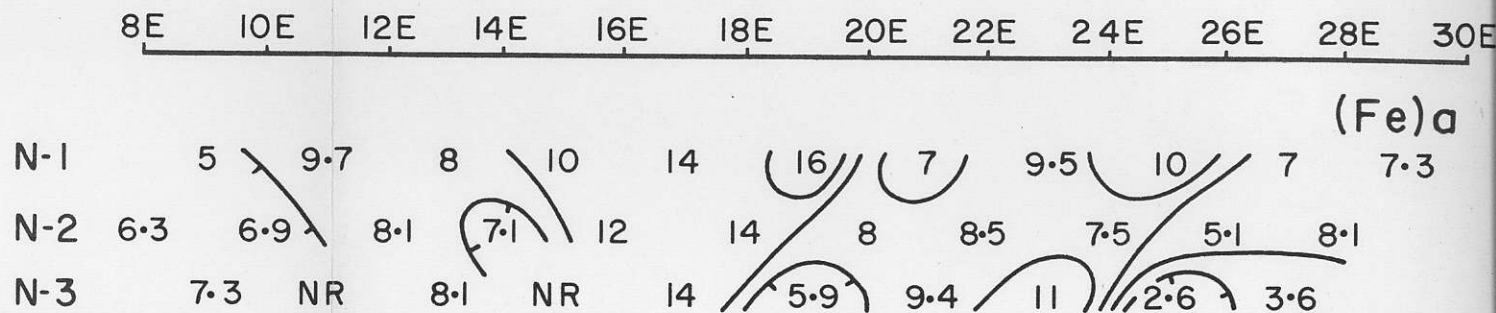
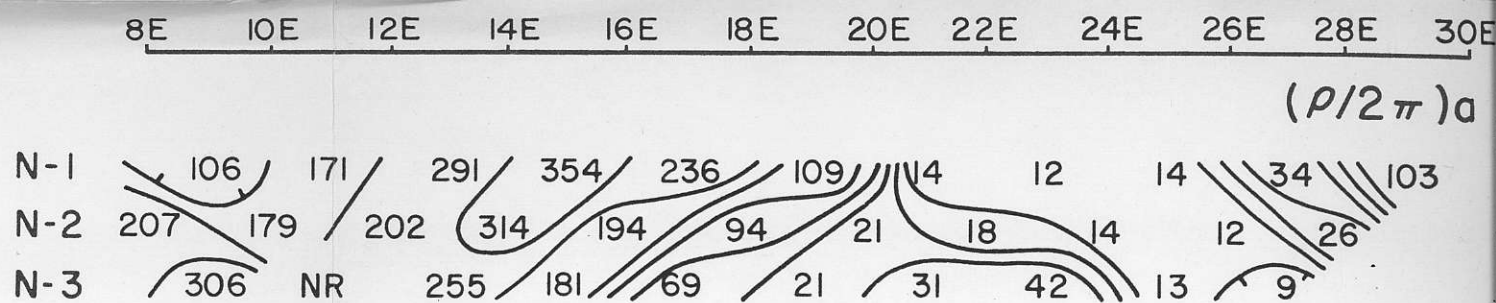
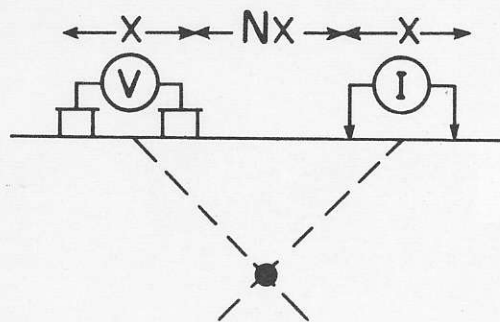


INDUCED POLARIZATION AND DRILLING RESULTS FROM BABINE LAKE AREA B. C.



LINE - 12 N

FREQUENCIES - 0.31 & 5.0 CPS.



X EQUALS 200 FEET

831202
NAK
093M/8E

