

# INDUCED POLARIZATION

AND

## DRILLING RESULTS

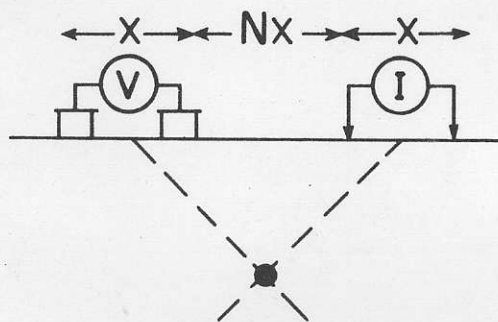
FROM

## BABINE LAKE AREA

B. C.

LINE - 32 N

FREQUENCIES - 0.31 & 5.0 CPS.



X EQUALS 200 FEET

