

Attelston - Jackpot

823388

Production : - 36 K tons > .5 opt
+ copper

Talc carbonate alt'd rocks
host aspy + py replacement
bodies.

Jack pot : Plunge 10° - 40° E
width $\approx 10'$ - $40'$
Strike $\approx 100'$

Talc-carb host
Serpentine not host.

Numerous NE 40° - 70° NW faults w/ ore
T-C host extent from 4200'
on top of hill above Attelston at least
as far as the Jackpot adit and etc
over max width of 550'
Qtz diorite intrudes to east

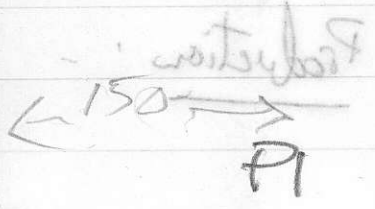
25.00

5

853388

Atlatlan - rock

2.20 ft
+ copper



P2

1295

Most copper by replacement
bodies

1250

A

F

Rock pot

1200

Temperature not constant

Numbers NE to SW
T-C west extent from 1500'
on top of hill above Atlatlan at least
as far as the top of bit and etc
over max width of 500'
etc. dicitio entered to east

5

ALTERATION

BASIC & ULTRABASIC RK ALT'N

CARBONATE / SERICITE

INITIAL

SERPENTINE
ACTINOLITE
CHLORITE

→

INTERMEDIATE

SERPENTINE
BRUCITE
CARBONATE

→

"LISTWANTE"

MARIPOSITE
QUARTZ
CARBONATE

→

"POST-LIST"

SULPHIDE
PRECIP'N

+
Hematite
Qtz

Usually

K
Ca
Al
CO₂
H₂O

} increase

SiO₂ decrease

HOLE #	AZ	DIP	LINE	STN	COMMENTS	TOTAL DEPTH	ACCUM TOTAL
AJ-01	230	-88	2+83W	2+97N	LIST+DEFN 0-50	216.4	216.4 -1300
AJ-02	230	-88	3+10E	0+10N		151.48	367.9 151.5
AJ-03	230	-88	2+35W	4+90N		145.39	513.3 45.4
AJ-04	230	-88	1+40W	3+52N		168.25	681.5 1200
AJ-05	-	-90	1+80W	2+37N		121.01	802.5
AJ-06	230	-88				1137.16	939.7 -1100

AJ91-1

7.55m Dyke
14.5 List
18.4 List
31.65 "
36.2
45.6

Blue - Dark
Blue - Light
Light Blue w/ vnlts dark blue
Light Blue w/ dark blue vnlts
some greenish calcine like grn
v minor light blue
light blue
dk blue - selvage of qm

54.86 Serp

light blue (vnlts ~ 0.5cm width)

86.87

Trace blue
(yellowish green)

~190.5



Serp w/ carbonate xstals - no stain

182.50

light Blue
Carbon weath
Frac surfaces

- No stain

213.10

Dior

No stain

AJ91-4

67.35 List

Wk Light Blue (Yellowish Green)

67.67

v minor Light Greenish (Med) - Blue

69.05

Minor Vnlts ~~light~~ Med Blue

78.80

Dark Blue vnlts, Light Blue Around
+ Mauve

78.

AJ91-5

~ 78.73

Vn, Banded

Dark + light Blue

+ Dark Blue vnlts

58.00

v. wk light blue

To Sample:

Box 8 AJ91-4

④

40.00 - 42.85 m

42.85 - 44.35

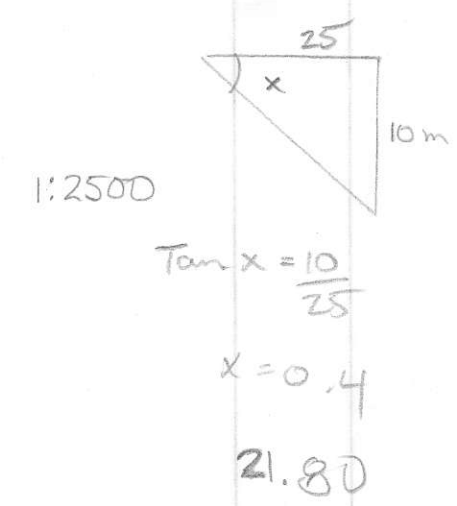
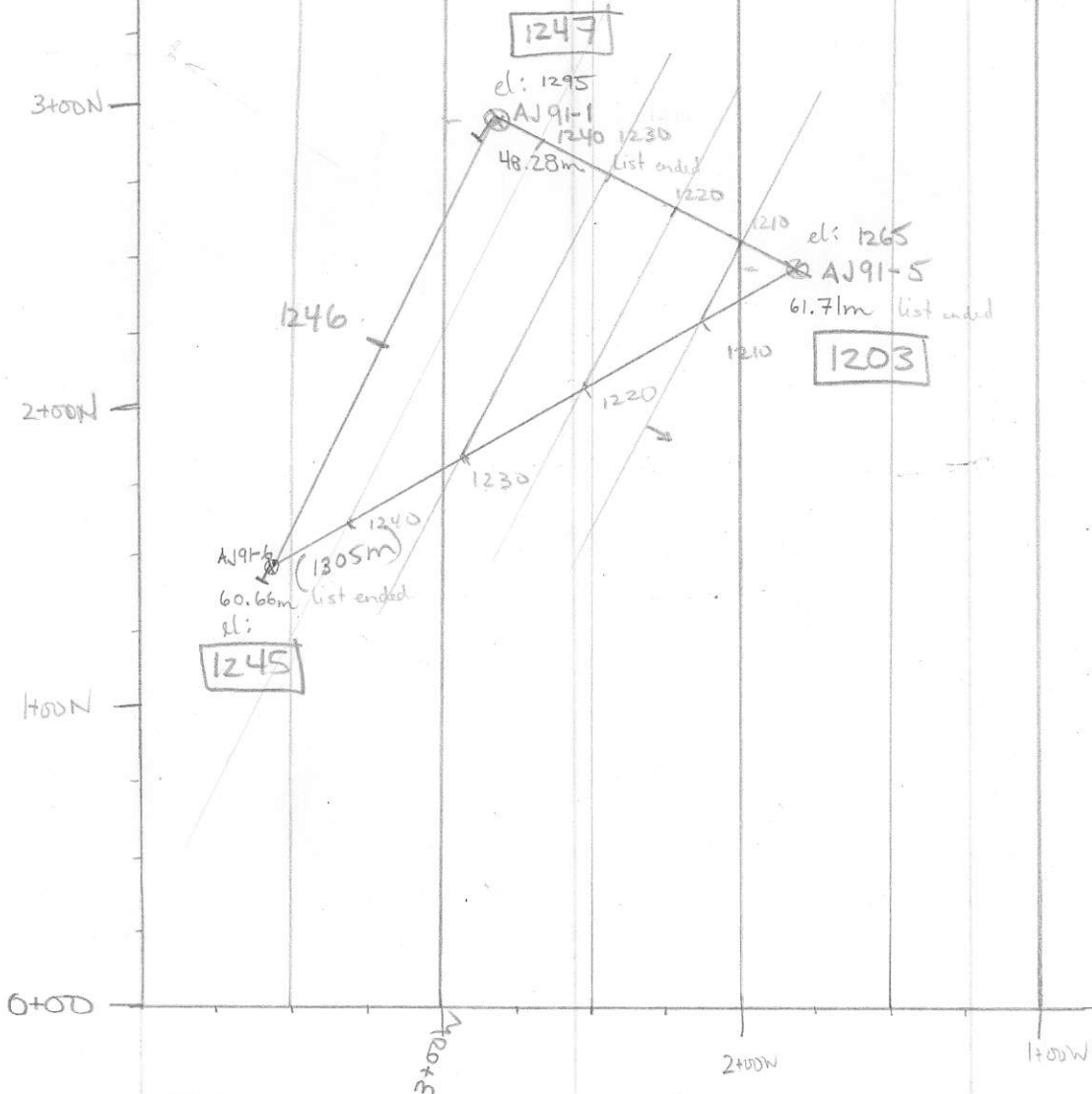
44.35 - 45.53

} .85
Py
to 5-10% py

Take All



REMARKS	SUBPHASE	ALTERATION	ANGLE TO CORE AXIS	TEXTURE AND STRUCTURE	GRAIN SIZE	COLOR	ROCK TYPE	FROM TO
				050/22 E			230	
							1247	91-1
							1203	91-5
							1245	91-6



$$\frac{100}{42} = \frac{42}{42}$$