

Call from Tony Kootuk 681100
Aug 16 3:30 PM Vic

~~2 - 48° - 149' - 160'~~

drilled from 20' - 20'
in up ridge than
previous holes.

Total 26'

El. 5832'

Packsack
Drilling.

6' - 30° now - 60°.
hit FW 4' down

Total 35'

16' of mineralized core
90° hole - 90° recovery

AX -

Dip probably 75° SE as sugg. by Dolmage

No further drilling intended on east face.

No 2 - 48° - 149' oxidized
160'

Aug 30/76.

No 1 - 60° - 6' wide - heavily leached
lots of quartz.

86°

192'

trench perma frost
malachite -

Kendrick Drilling
Through W.L.

Chilanko Forks.

No 1 -

7AM - 8AM.

No 2 hole should be finished in 2 hours.
same set-up but at -45°.

line with
No 2

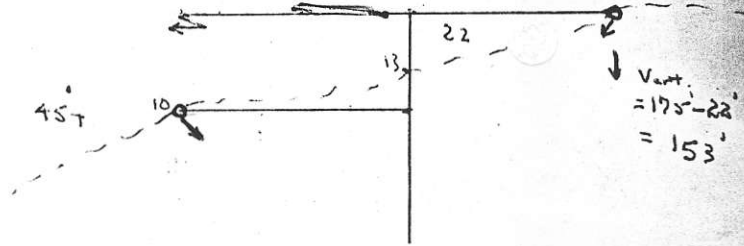
o'N

I suggested No 3 be drilled at -60° but 40' further
back than originally spotted

No 3 - 62° 289' - 13
296'

Total drilling
including final hole #3
690'

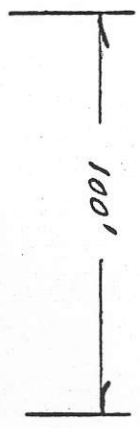
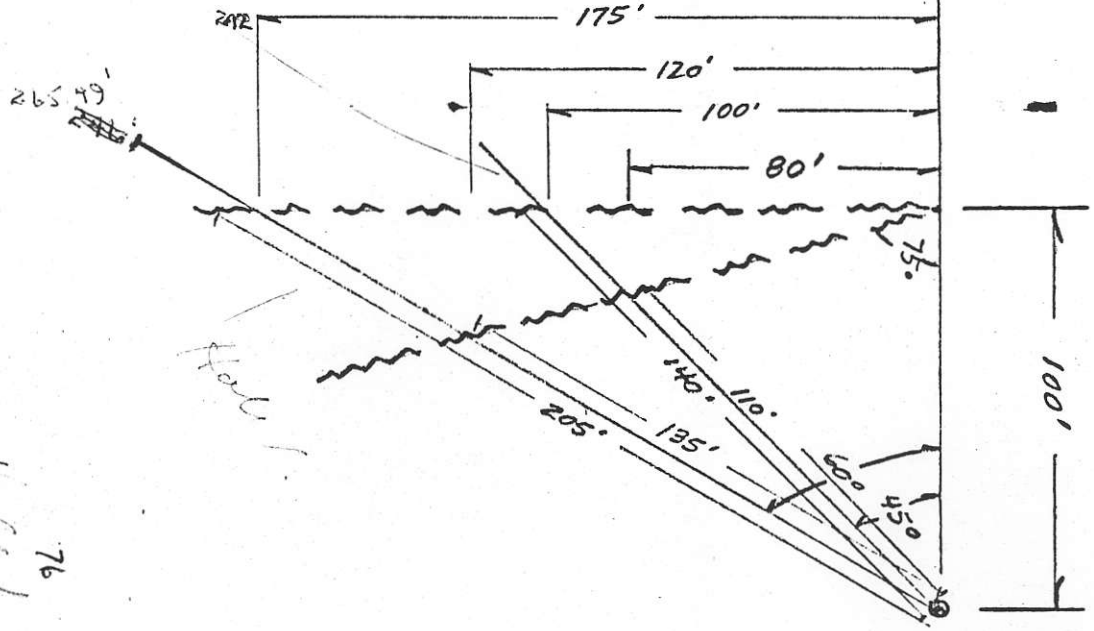
#2 = 210 + 10 = 220' T



210' + 45' T
= 255' vs =

25 N

Vertical depth of intercept



1" = 50'

Carl Zuber

Cu
Py
Au

Cu.
129
Au.

0.32

0.05

0.015

0.003

0.001

150-160

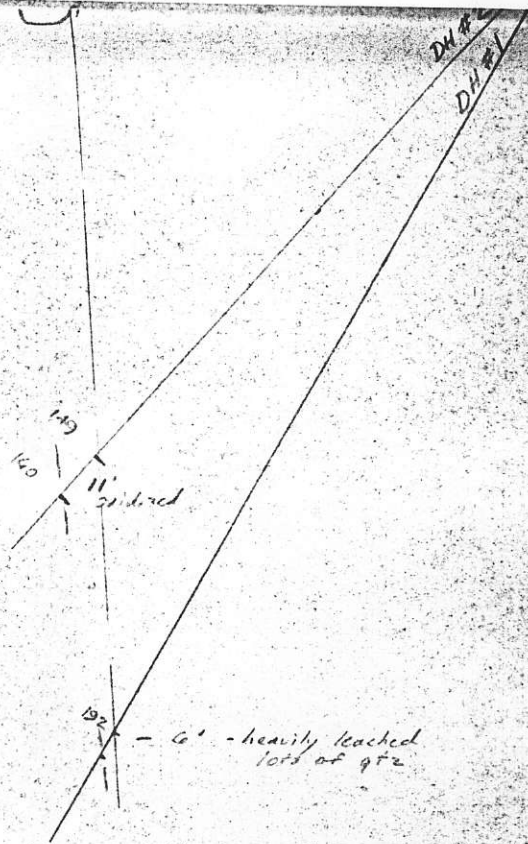
Trace 2

Trace 1 193-194

subt over 76

3

Summit Drill Holes



1" = 40'