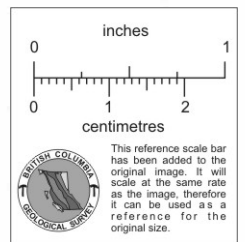
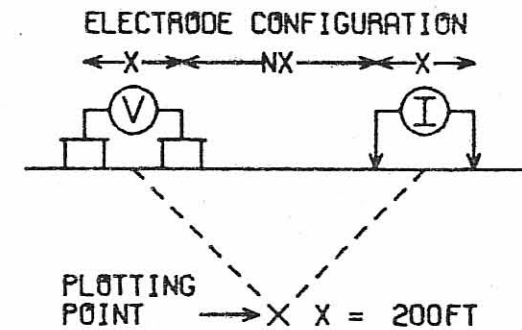


PHELPS DODGE CORPORATION
OF CANADA LTD.

MIX GROUP, MESS CREEK (EAST-SIDE), LIARD M.D.,
BRITISH COLUMBIA

LINE NO.- 4800N

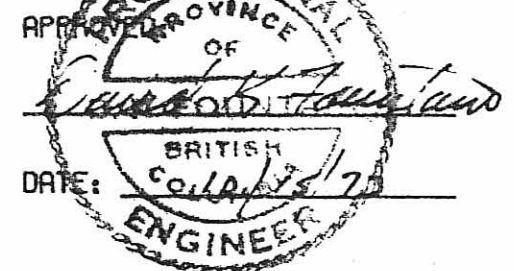


SURFACE PROJECTION
OF ANOMALOUS ZONES

DEFINITE
PROBABLE
POSSIBLE

FREQUENCIES: 0.31-5.0 HZ

DATE SUBMITTED: JUL 1973



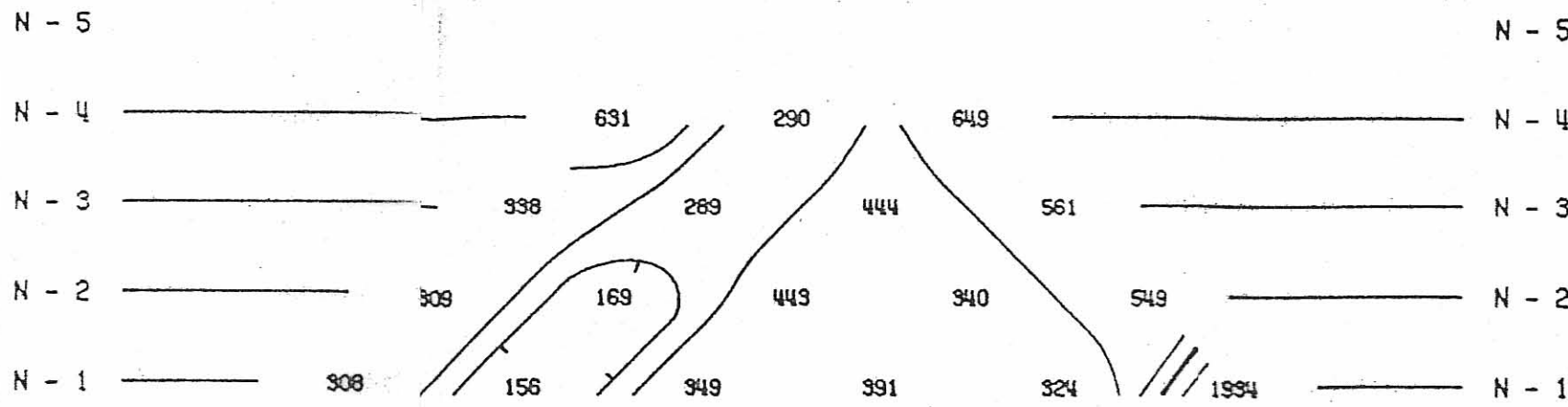
NOTE: CONTOURS AT
LOGARITHMIC INTERVALS
1.-1.5-2.-3.-5.-7.5-10

Expiry Date: April 25, 1974

McPHAR GEOPHYSICS

INDUCED POLARIZATION AND RESISTIVITY SURVEY

NOTE: THIS PLOT WAS PRODUCED BY McPHAR COMPUTER DIVISION

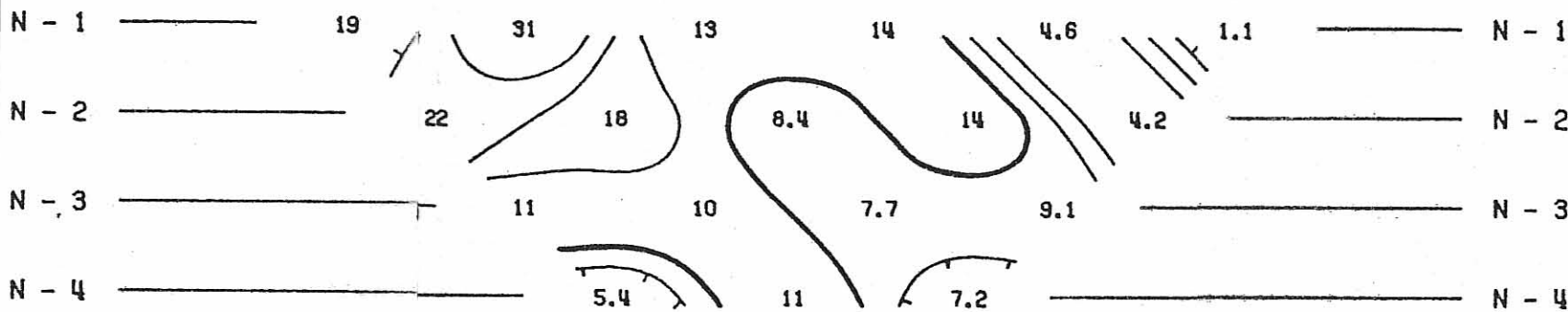


RESISTIVITY (APP.) IN OHM FEET / 2π

2E 4E 6E 8E 10E 12E 14E 16E 18E

METAL FACTOR (APP.)

METAL FACTOR (APP.)



FREQUENCY EFFECT (APP.) IN %

FREQUENCY EFFECT (APP.) IN %

