

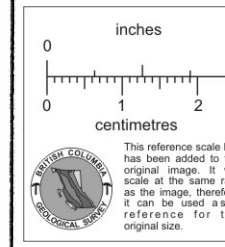
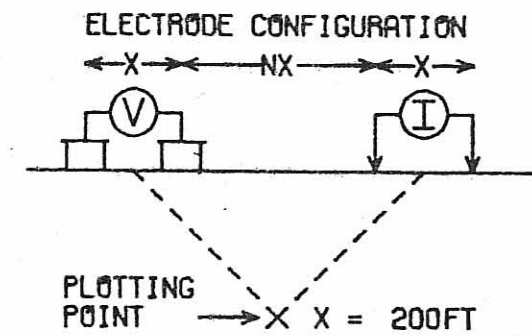
019618

DWG. NO.- I.P.-6097-7

**PHELPS DODGE CORPORATION
OF CANADA LTD.**

MIX GROUP, MESS CREEK (EAST-SIDE), LIARD M.D.,
BRITISH COLUMBIA

LINE NO.- 3600N



SURFACE PROJECTION
OF ANOMALOUS ZONES

DEFINITE **—————**
PROBABLE **|||||**
POSSIBLE **////**

FREQUENCIES: 0.31-5.0 HZ

DATE SURVEYED: SS/ML/1973

APPROVED: *[Signature]*
PROVINCIAL
OF
BRITISH
COLUMBIA
ENGINEER

NOTE: CONTOURS AT
LOGARITHMIC INTERVALS
1.-1.5-2.-3.-5.-7.5-10

DATE: 1973

Expiry Date: April 25, 1974

McPHAR GEOPHYSICS

INDUCED POLARIZATION AND RESISTIVITY SURVEY

NOTE: THIS PLOT WAS PRODUCED BY McPHAR COMPUTER DIVISION