

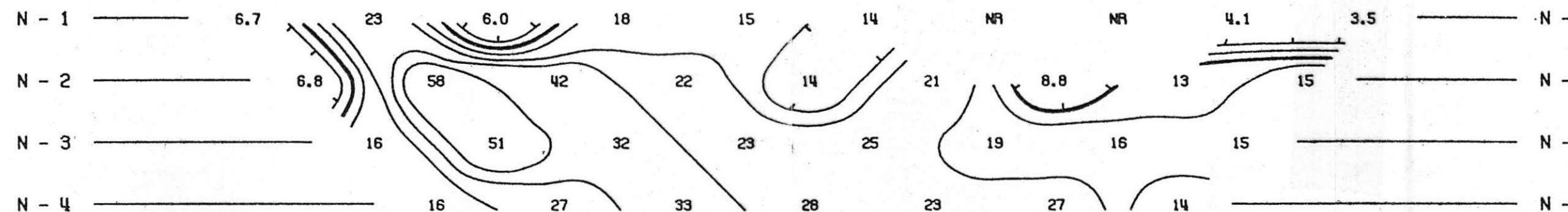
RESISTIVITY (APP.) IN OHM FEET / 2π

RESISTIVITY (APP.) IN OHM FEET / 2π

4W 3W 2W 1W 0 1E 2E 3E 4E 5E 6E 7E 8E

METAL FACTOR (APP.)

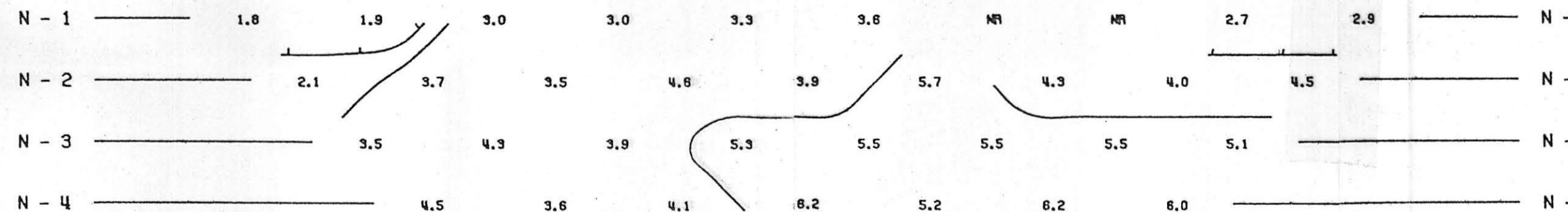
METAL FACTOR (APP.)



4W 3W 2W 1W 0 1E 2E 3E 4E 5E 6E 7E 8E

FREQUENCY EFFECT (APP.) IN %

FREQUENCY EFFECT (APP.) IN %



N - 5

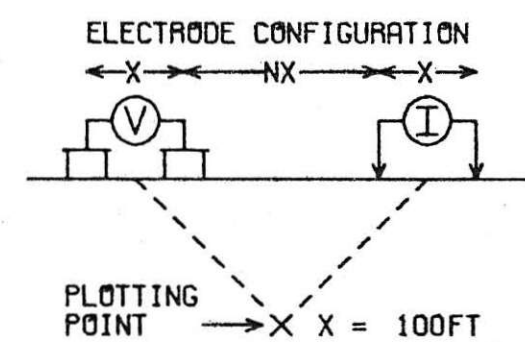
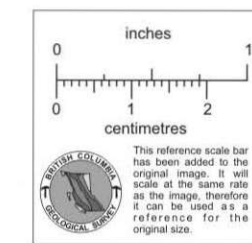
019617

DWG. NO. - I.P. - 6097-6

PHELPS DODGE CORPORATION
OF CANADA LTD.

MIX GROUP, MESS CREEK (EAST-SIDE), LIARD M.D.,
BRITISH COLUMBIA

LINE NO. - 3200N



SURFACE PROJECTION OF ANOMALOUS ZONES

DEFINITE
PROBABLE
POSSIBLE

FREQUENCIES: 0.31-5.0 HZ

DATE SURVEYED: AUG 1973

NOTE: CONTOURS AT LOGARITHMIC INTERVALS
1.-1.5-2.-3.-5.-7.5-10

APPROVED:
DATE: 4/0/1973

Expiry Date: April 25, 1974

McPHAR GEOPHYSICS

INDUCED POLARIZATION AND RESISTIVITY SURVEY

NOTE: THIS PLOT WAS PRODUCED BY McPHAR COMPUTER DIVISION