

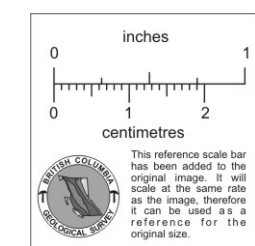
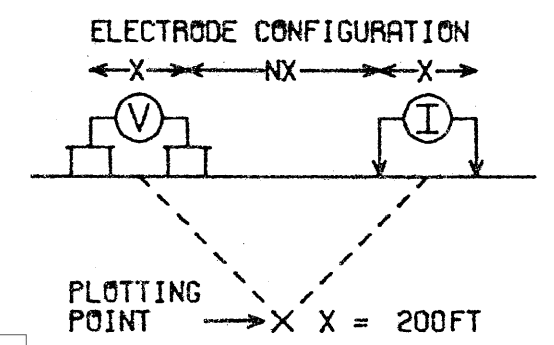
019612

DWG. NO. - I.P. - 6097-1

**PHELPS DODGE CORPORATION
OF CANADA LTD.**

MIX GROUP, MESS CREEK (EAST-SIDE), LIARD M.D.,
BRITISH COLUMBIA

LINE NO. - 2400E



SURFACE PROJECTION
OF ANOMALOUS ZONES

DEFINITE —————

PROBABLE —————

POSSIBLE / / / / /

FREQUENCIES: 0.31-5.0 HZ

DATE SURVEYED: AUG 1973

APPROVED: *David K. Houston*

DATE: 10/15/73

BRITISH COLUMBIA ENGINEER

NOTE: CONTOURS AT
LOGARITHMIC INTERVALS
1.-1.5-2.-3.-5.-7.5-10

McPHAR GEOPHYSICS

INDUCED POLARIZATION AND RESISTIVITY SURVEY

NOTE: THIS PLOT WAS PRODUCED BY McPHAR COMPUTER DIVISION