

FIGURE 3  
SECTION A  
1" = 50"

% Cu / length  
.33 / 180'

008976

PHOTO BY TELETYPE UNIT

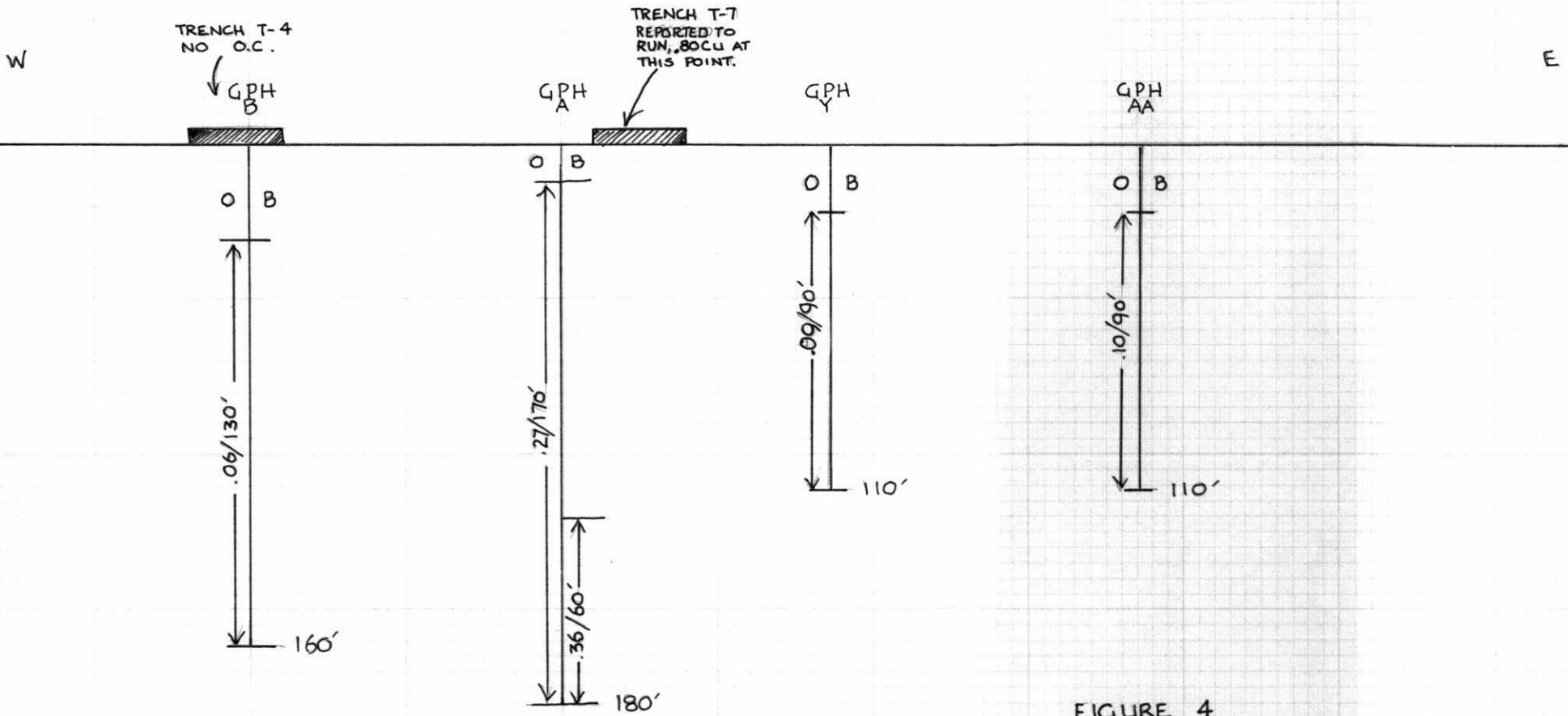


FIGURE 4  
SECTION B  
1" = 50'

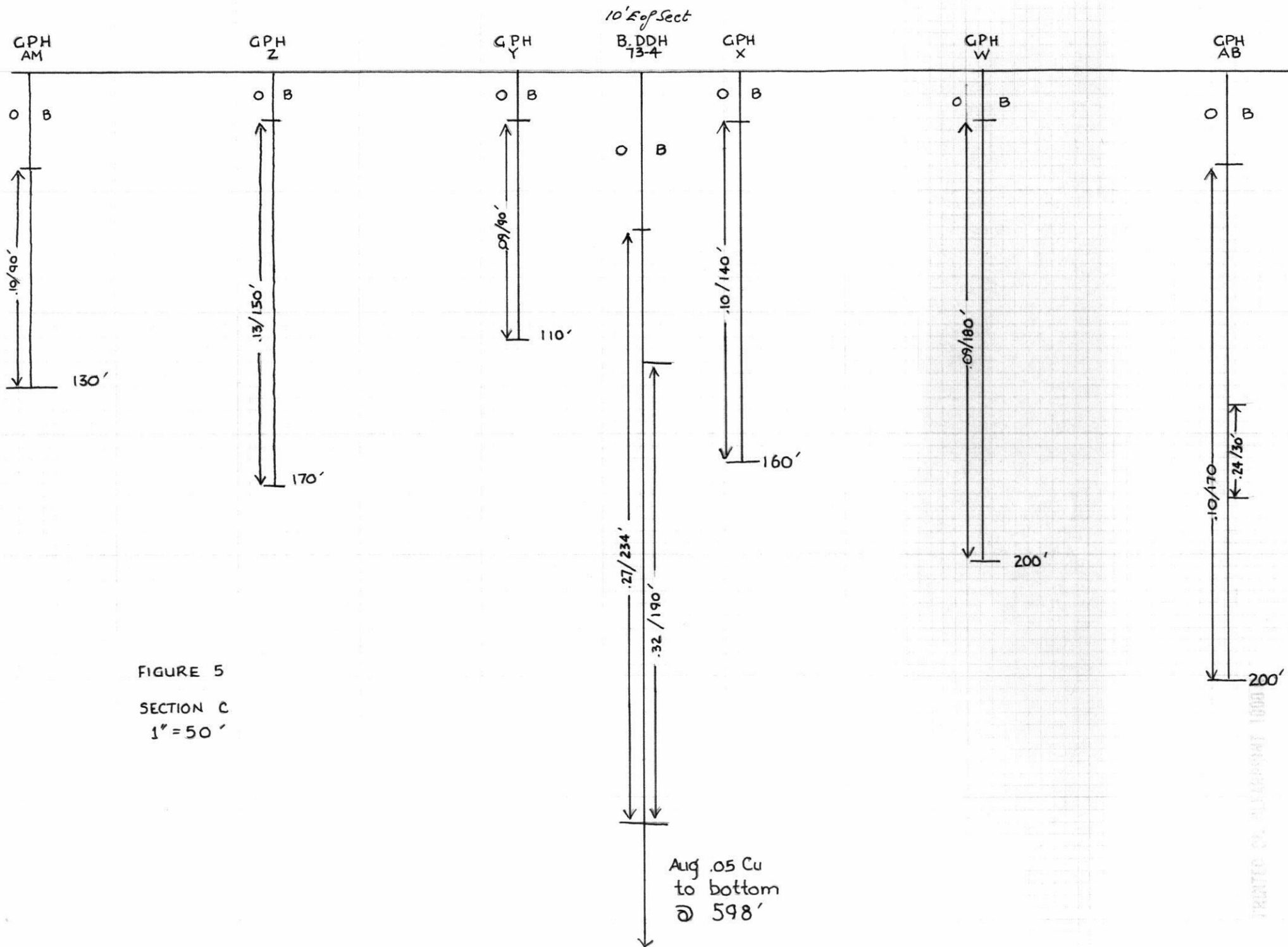
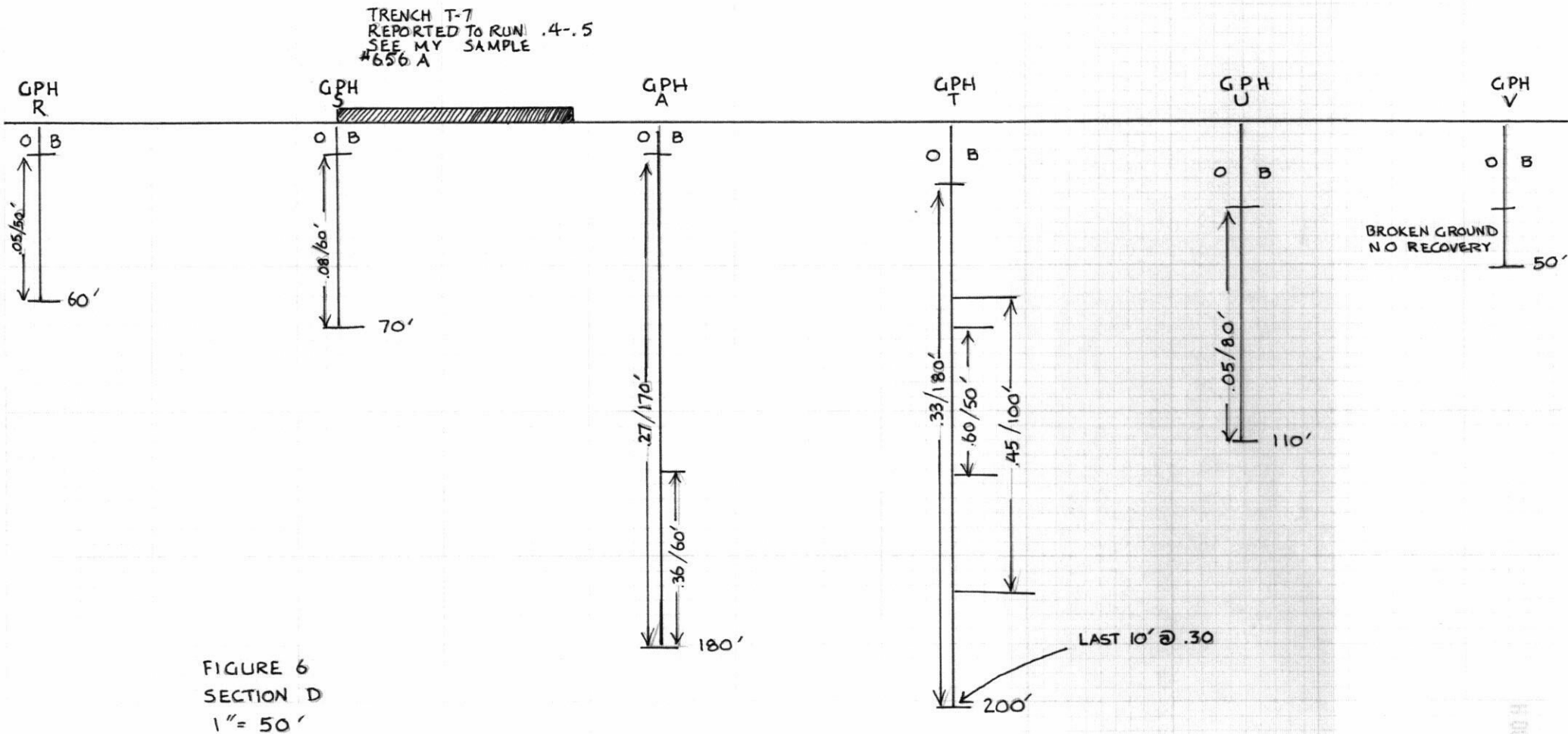


FIGURE 5  
SECTION C  
1" = 50'

PRINTED ON ALUMINUM 1000



TRENCH T-4 30'-40' W  
OF SECTION HERE  
REPORTED TO HAVE  
50' O.F. - 51 SEE MY  
SAMPLE # 654 A.

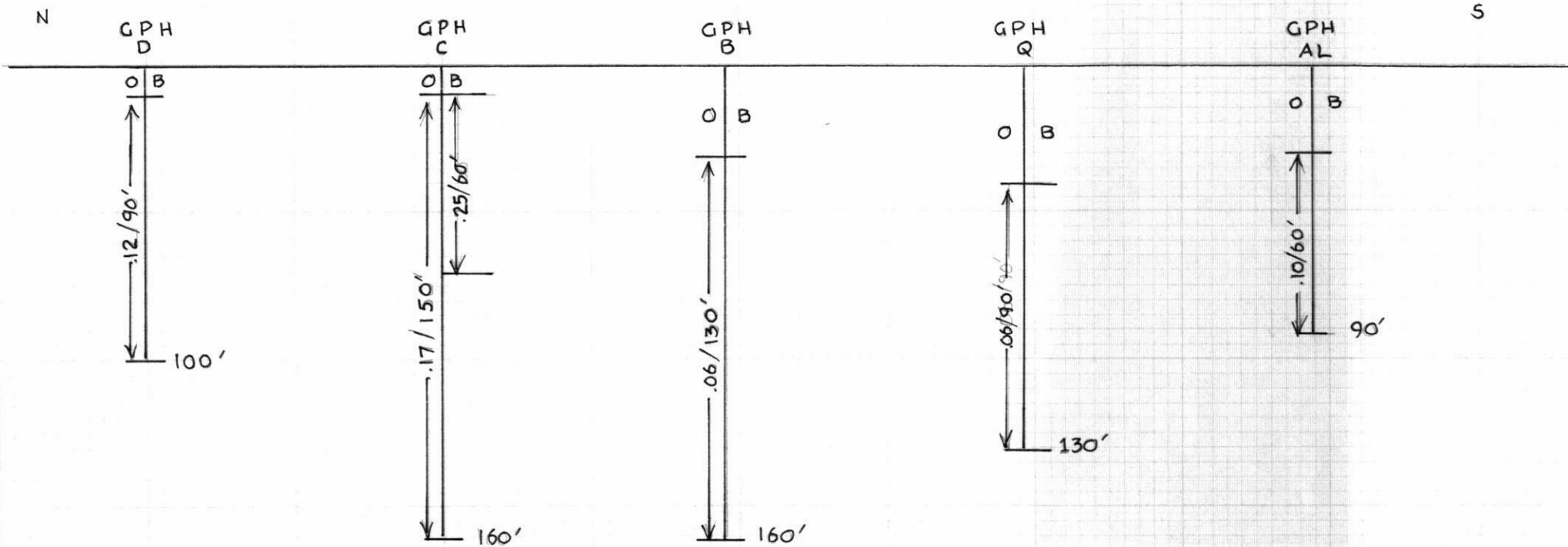


FIGURE 7  
SECTION E  
1" = 50'