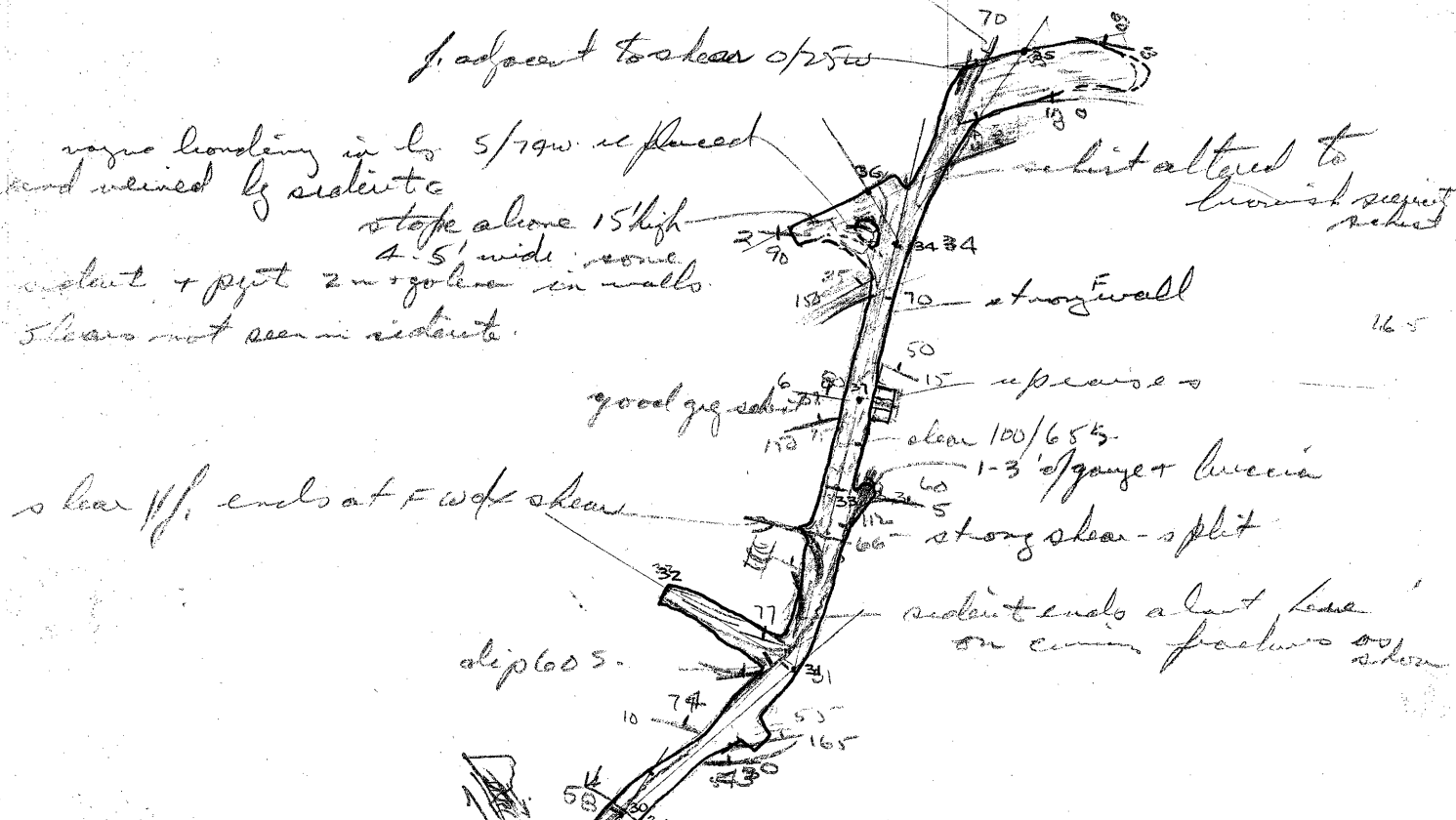


82F/15W
82FINE-14,15

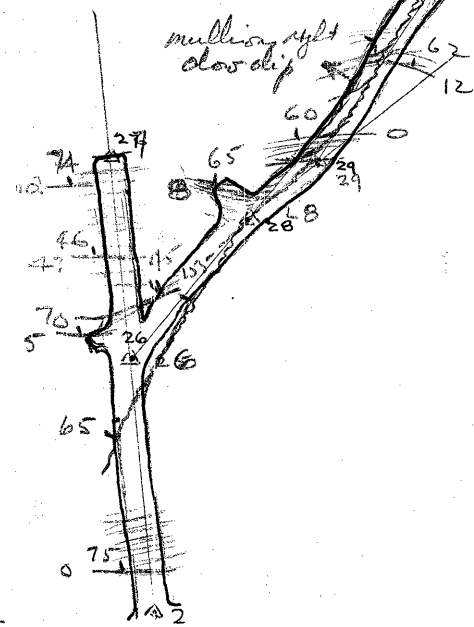
BUCKETE
JULY 22/63

fair well defined shear - few inches of mushy gouge



no zone bonding in ls 5/79w. replaced and veined by siderite
stope alone 15' high
4-5' wide. some
siderite + pyrit 2m + gouge in walls.
shears not seen in siderite.

shear // f. ends at Fwd shear



In raise Δ 38 fault in Fw part least 15' w along vein. Very well defined walls + altered in ls with W

In stope = grey hole displacement of Fw of ls or vein is about 20' ⊥ to dip of Fw of ls in plan
this distance > 20'

normal fault - F-
mass calcite + siderite + pyrit gal + sphal in vein - are not well exposed. - most lower down walls ditto

Coarse calcite + siderite + pyrit gal + sphal in vein - are not well exposed. - most lower down walls ditto

PROPERTY FILE

001723